

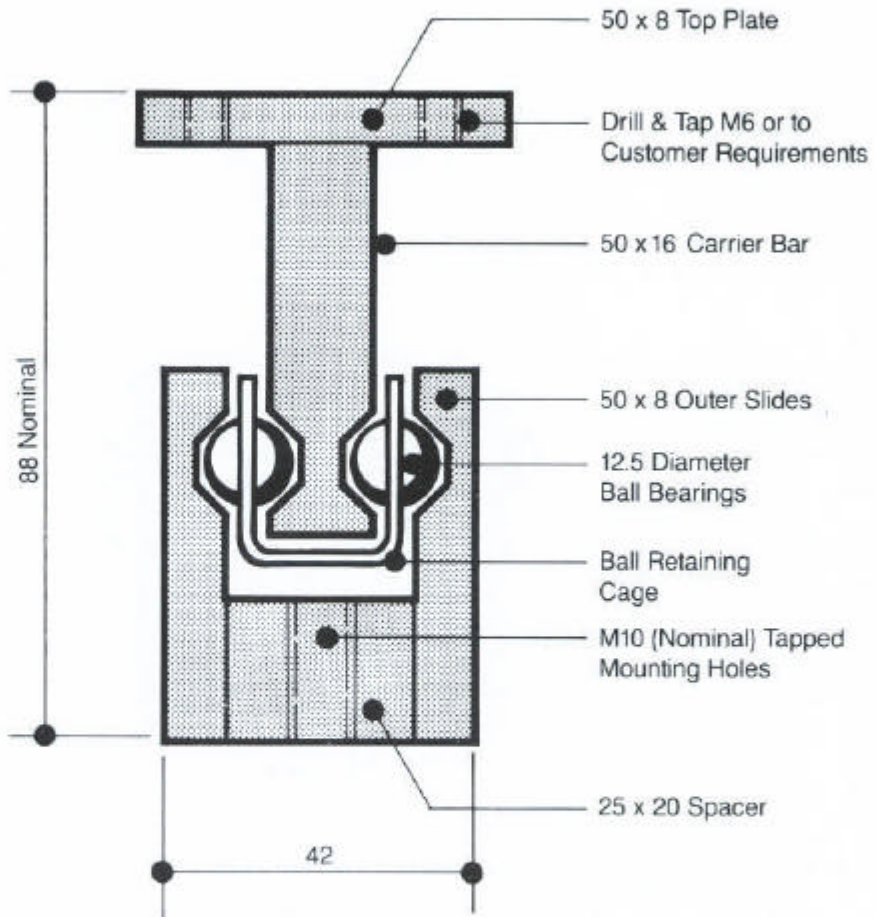
FITZROY BALL BEARING WITHDRAWAL UNITS

STEEL MEDIUM S500W Weight Capacity 500 Kgs/pair

TYPICAL SECTION STANDARD UNIT

SCALE: FULL SIZE

IMPORTANT
 WEIGHT CAPACITY IS NOMINAL.
 RECOMMENDED WORKING LOAD IS
 CONTROLLED BY SLIDE LENGTH,
 TRAVEL AND LOAD DISTRIBUTION



ELEVATION STANDARD WITHDRAWAL UNIT

NOT TO SCALE

Note: Slide Tracks must be Parallel and Level.
 Any Misalignment will jamb slides.

