

FITZROY BALL BEARING WITHDRAWAL UNITS

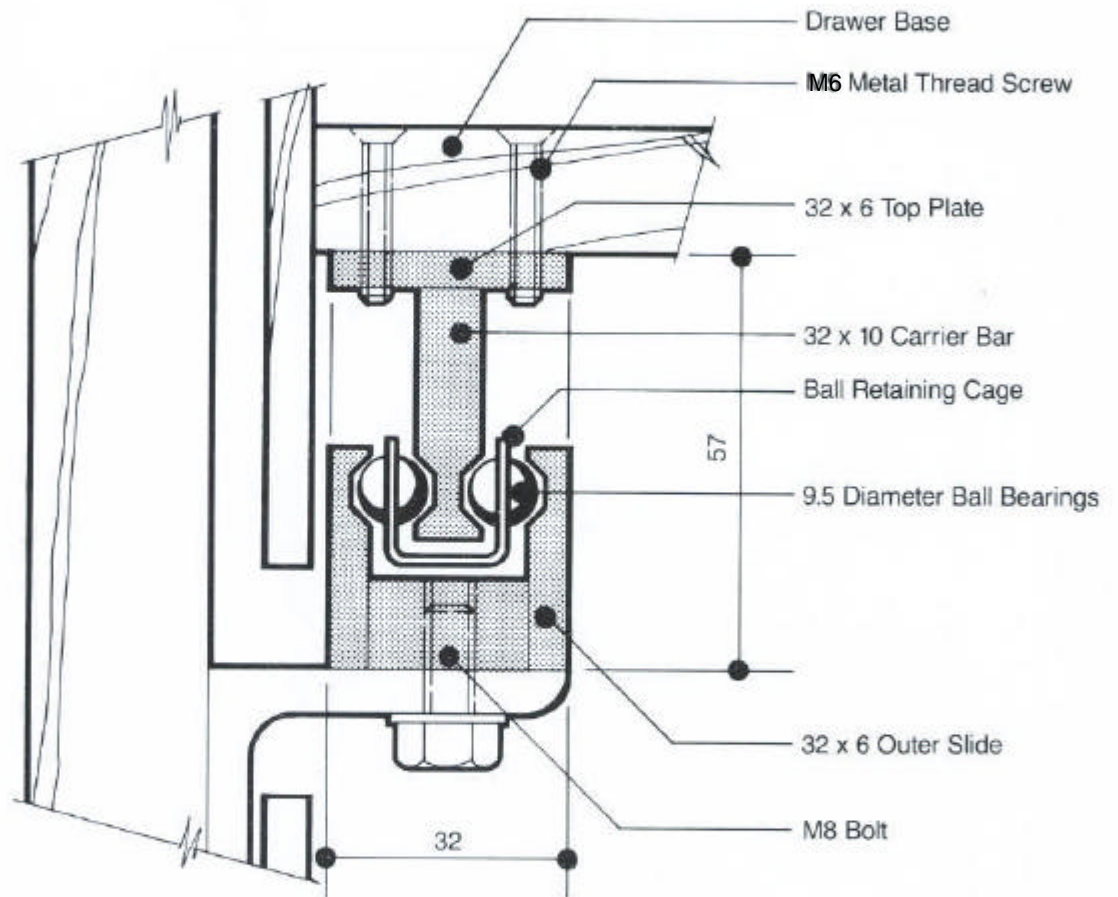
STEEL LIGHT S100W

Weight Capacity 150 Kgs/pair

TYPICAL SECTION STANDARD UNIT

SCALE: FULL SIZE

IMPORTANT
 WEIGHT CAPACITY IS NOMINAL.
 RECOMMENDED WORKING LOAD IS
 CONTROLLED BY SLIDE LENGTH,
 TRAVEL AND LOAD DISTRIBUTION



ELEVATION STANDARD WITHDRAWAL UNIT

NOT TO SCALE

Note: Slide tracks must be parallel and level. Any Misalignment will Jam Slide.

