

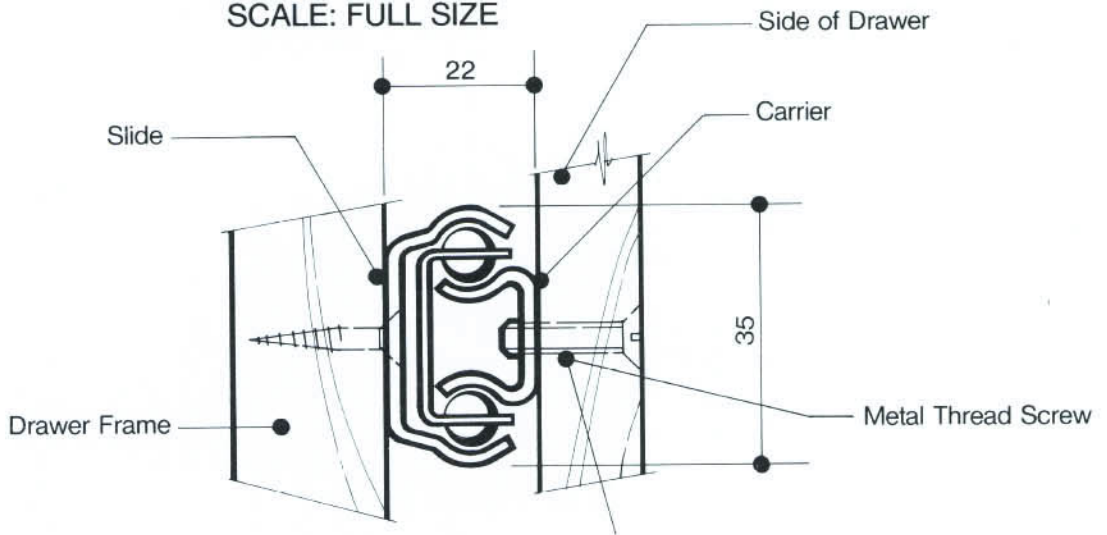
**FITZROY BALL BEARING DRAWER SLIDES**

**STEEL JUNIOR S40D**

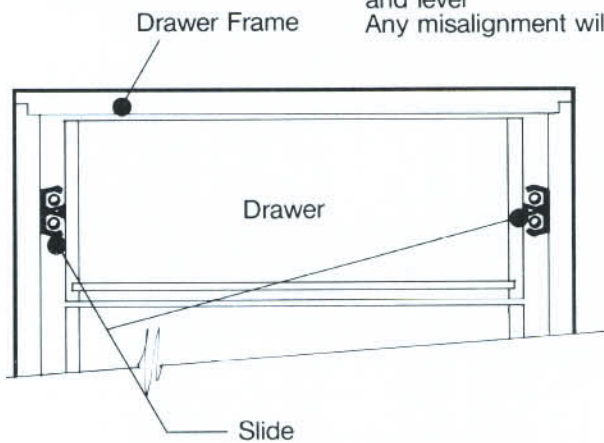
Weight Capacity 40 Kgs/pair

**TYPICAL SECTION SLIDE**

SCALE: FULL SIZE

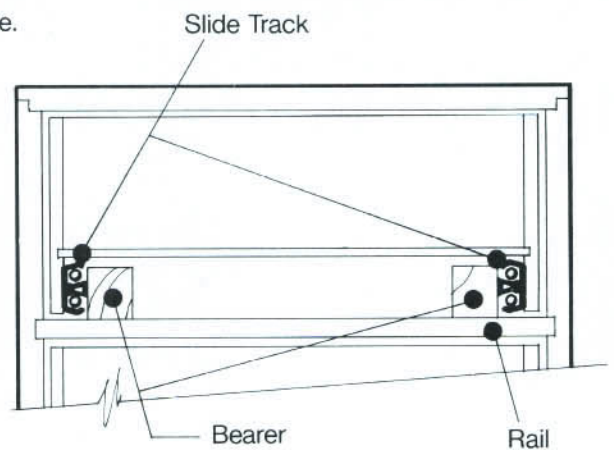


**SIDE MOUNTING**

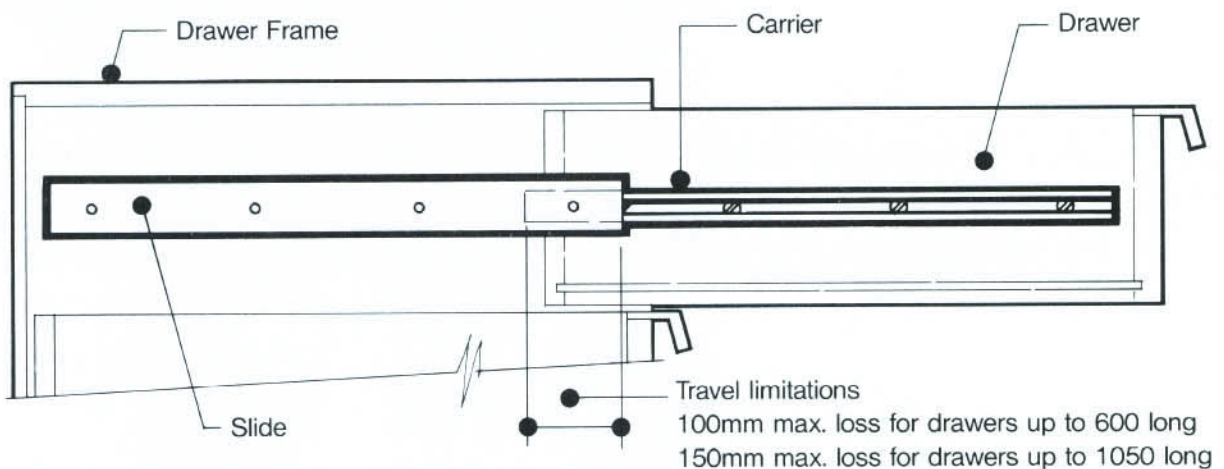


Note: Slide tracks must be parallel and level. Any misalignment will jam slide.

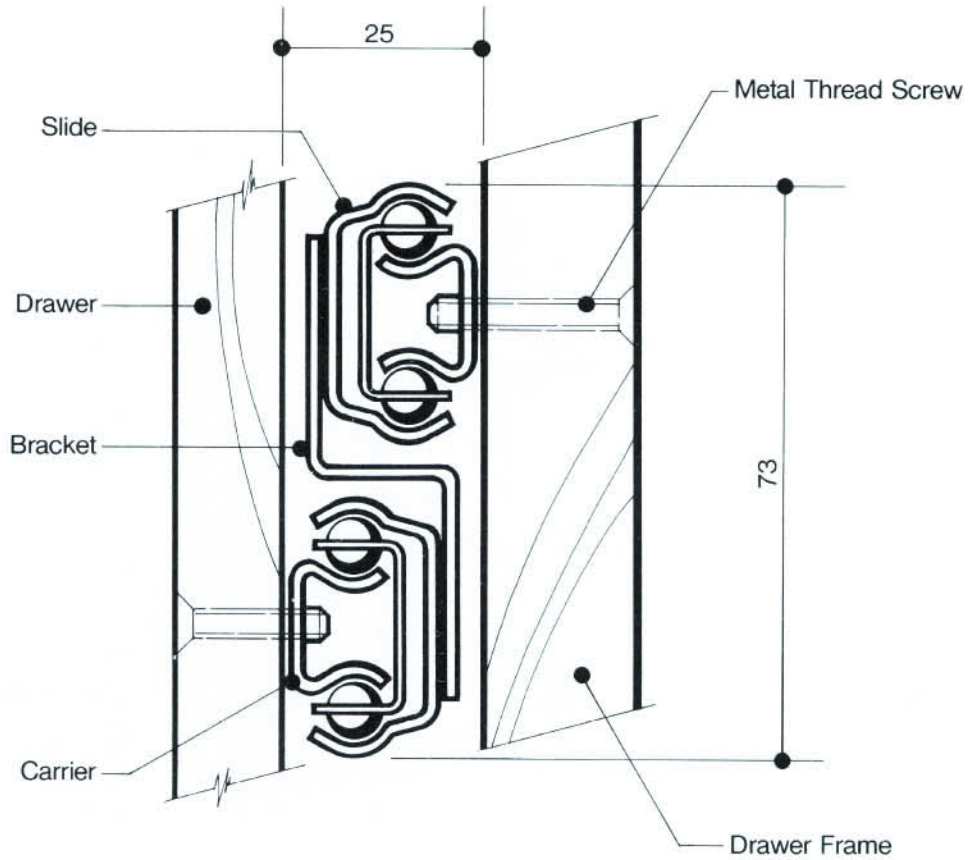
**CONCEALED MOUNTING**



**TRAVEL LIMITATIONS STANDARD UNIT**



**TYPICAL SECTION  
DOUBLE SLIDE  
SCALE: FULL SIZE**



**ELEVATION 100% FULL TRAVEL UNIT**

